

Team ASA NPWR-XTR

NPWR-XTR
Single Board
Networking
Computer

**Dual Core
ARM
Computing
at 1.2 GHz!**

Dual Core CPU

Dual Gigabit Ethernet

Quad SATA

Eight SATA/SAS Port

1.2 GHz 81348/2/1
Intel XScale CPU

Linux OS

16 MB Flash ROM Drive

Low Power

3.5" Compact Size

High Performance
Linux Engine

Team ASA

Contact our Sales Office
Phone: (619) 253-8753
PO Box 420576
San Diego, CA 92142
Sales@TeamASA.com

Visit Our Web Site at www.TeamASA.com

NPWR-XTR

Single Board Networking Computer

Possible Applications Include:

Embedded RAID Controller

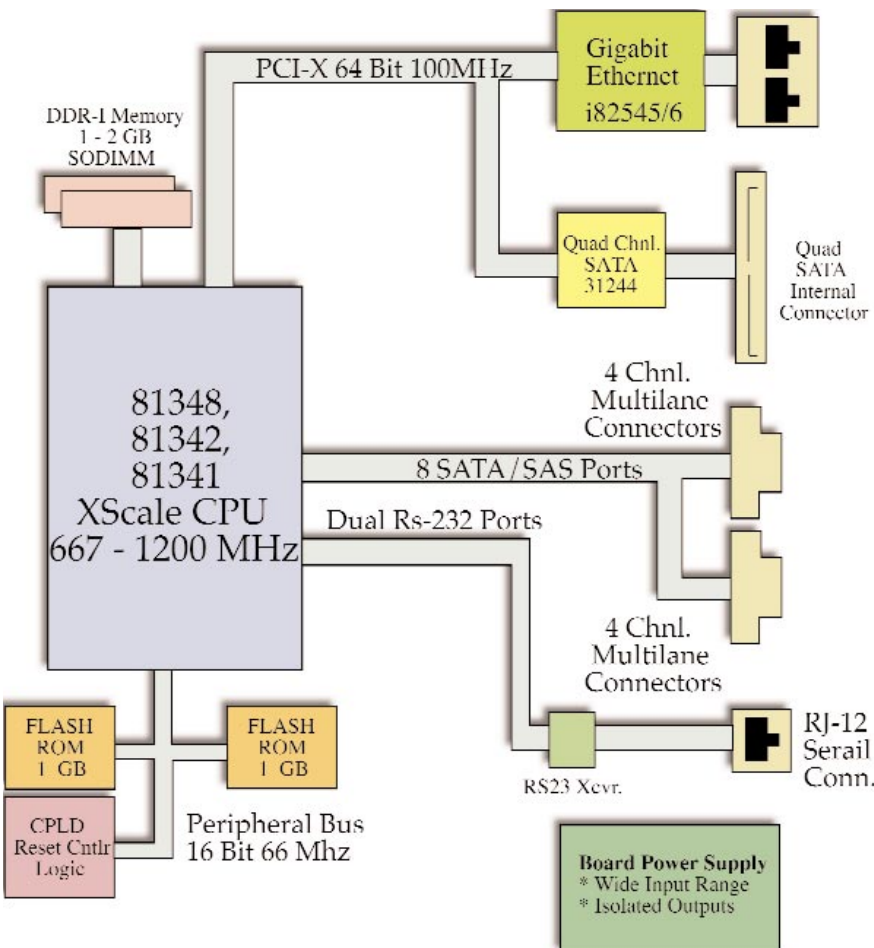
Network Attached Server

Embedded Web Server

iSCSI Controller

SAN Controller

Backup Appliance



Major System Features

- 667 MHz - 1.2 Ghz 81348 Intel CPU
- Dual or Single Core CPU
- Quad SATA Hard Drive Ports
- Eight SATA/SAS Hard Drive Ports
- Dual Gigabit Ethernet
- 256 MB - 2 GB DDR-SDRAM
- RTC / Battery
- 16 Megabyte FLASH
- Dual Serial Ports - RS-232
- 64 Bit - 100 MHz PCI-X
- 4" by 6.5" Form Factor
- Linux Flash Disk
- Linux CD-ROM
- 4.5 AMP @ 5VDC, 22.5 Watts

The NPWR-XTR easily fits into most 3.5" Disk Enclosures

Choose between Three Standard Configurations!	N	N	N
	P	P	P
	W	W	W
	R	R	R
	-	-	-
X	X	X	
T	T	T	
R	R	R	
M	1	2	
Single Core CPU		●	●
Dual Core CPU	●		
Dual Gigabit Ethr.	●	●	●
SATA Ports (4)	●	●	●
SAS / SATA Ports (8)			●

Team ASA

Contact our Sales Office
 Phone: (619) 253-8753
 PO Box 420576
 San Diego, CA 92142
 Sales@TeamASA.com